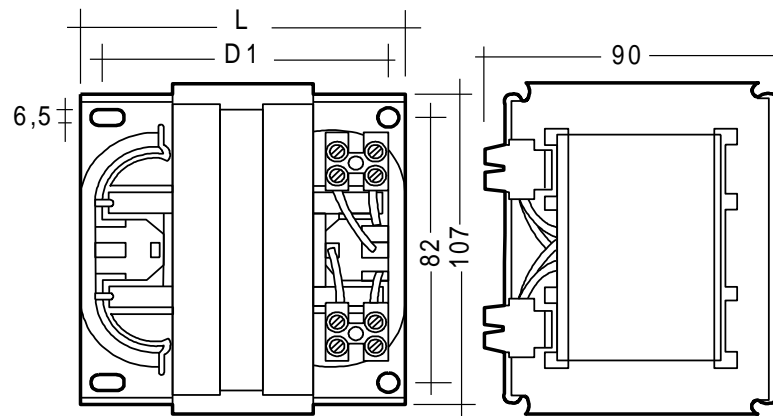


BALLAST	TECHNICAL DATA	Type	OGLS 400W 60 220-240/60 060A114
---------	----------------	------	---------------------------------



Ballast for HI and HS lamps

OGLS 400W 60 220-240/60 060A114 Ord. No. 144167

Standards	EN 60923, EN 61347
Directives	RoHS - 2011/65/EU
Declarations	CE
Approvals	-

Lamp	Type	HI;HS 400W 4,2-4,6A
------	------	---------------------

Network (line voltage)	V / Hz	220; 230; 240 / 60
------------------------	--------	--------------------

Current	A	4,2-4,6
---------	---	---------

Losses - warm	W	30,4
---------------	---	------

$\cos\phi_{in}$	-	0,42
-----------------	---	------

η	%	-
--------	---	---

$tw/\Delta tn$	K	130/ 60
----------------	---	---------

Thermal protection	No
--------------------	----

Maximum ambient temperature	Not defined
-----------------------------	-------------

L	mm	114
---	----	-----

D1	mm	100
----	----	-----

Weight	Kg	4,253
--------	----	-------

Packing	Pcs./Carton	4
---------	-------------	---

Packing	Pcs./Pallet	144
---------	-------------	-----

Impregnation	Vacuum impregnated with polyester resin
--------------	---

Varanty	10 years
---------	----------