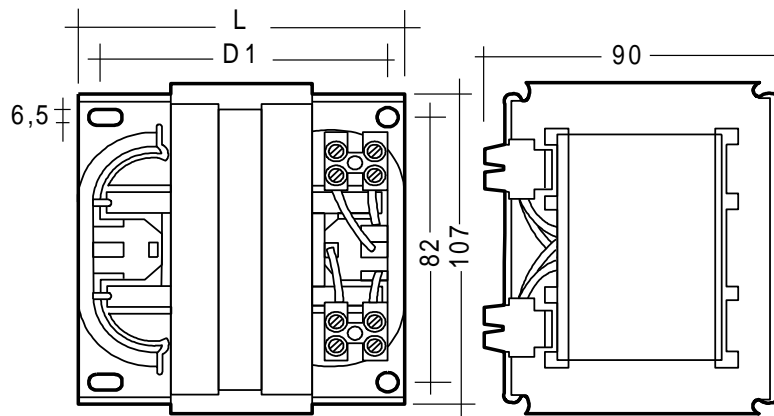


BALLAST	TECHNICAL DATA	Type	OGL 250W 30 220-240/50 030A084
---------	----------------	------	--------------------------------



Ballast for HM; HI lamps

OGL 250W 30 220-240/50 030A084 Ord. No. 144159

Standards	EN 60923, EN 61347
Directives	RoHS - 2011/65/EU
Declarations	CE
Approvals	ENEC 11

Lamp	Type	HM; HI 250W 2,15A
------	------	-------------------

Network (line voltage)	V / Hz	220; 230; 240 / 50
------------------------	--------	--------------------

Current	A	2,15
---------	---	------

Losses - warm	W	18,7
---------------	---	------

$\cos\phi_{in}$	-	0,54
-----------------	---	------

η	%	>90% - A2
--------	---	-----------

$tw/\Delta tn$	K	130/ 65
----------------	---	---------

Thermal protection	No
--------------------	----

L	mm	84
---	----	----

D1	mm	70
----	----	----

Weight	Kg	2,473
--------	----	-------

Packing	Pcs./Carton	6
---------	-------------	---

Packing	Pcs./Pallet	216
---------	-------------	-----

Impregnation	Vacuum impregnated with polyester resin
--------------	---