

# INSTALLATION INSTRUCTIONS

## LED Bulkhead

### Safety Warning



- The installation should be carried out by a qualified electrician in compliance with the current edition of the IEE Wiring Regulations.
- Prior to installation, carry out the necessary risk assessment considering the people who could be at risk, the level of risk and the precautions required to control the risk
- Ensure that the circuit supply is isolated either by the circuit supply fuse being removed or the applicable circuit breaker being turned off before installation or any maintenance.
- Check the total load on the circuit ensuring the luminaire does not exceed the rating of the circuit cable, fuse or circuit breaker.
- Long-term use and voltage fluctuations can reduce the life span of the fitting.
- If the fitting incorporates control gear, ensure careful sizing to avoid instances of nuisance tripping of the protective device used in the installation.
- Follow the provided installation instructions, using the fixings supplied or recommended.
- Keep out of reach of children.

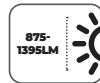
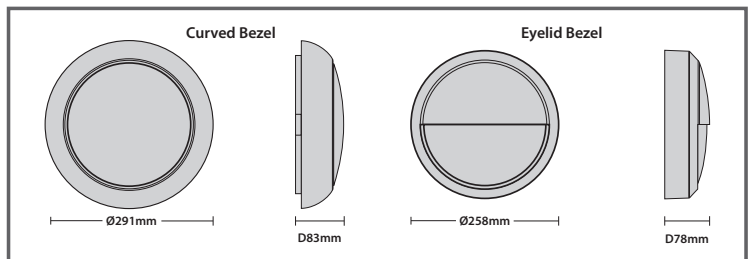


### Specification

#### Box Contents -

1 x LED Bulkhead, 2 x Bezel Trims, 1 x Bag of Fixings

<b>Dimensions:</b>	Curved Bezel: Ø: 291mm x D: 83mm Eyelid Bezel: Ø:258mm x D:78mm
<b>Material:</b>	Standard: ABS body & Polycarbonate diffuser Emergency: Polycarbonate body & diffuser
<b>Working Temperature:</b>	Standard: -20°C - 40°C Emergency: 5°C - 40°C
<b>Included:</b>	Bag of fixings

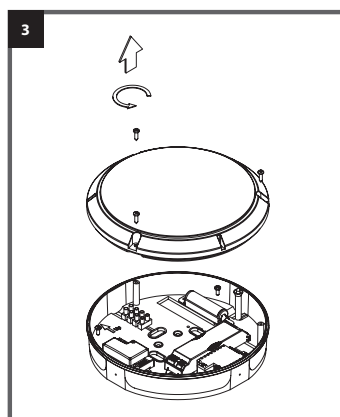
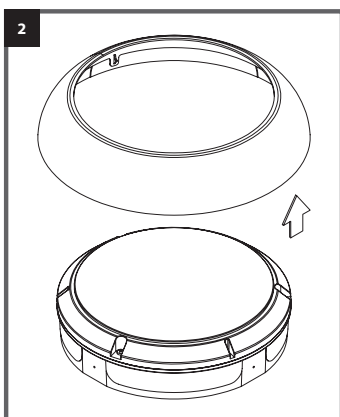


\*Batteries 2 year guarantee

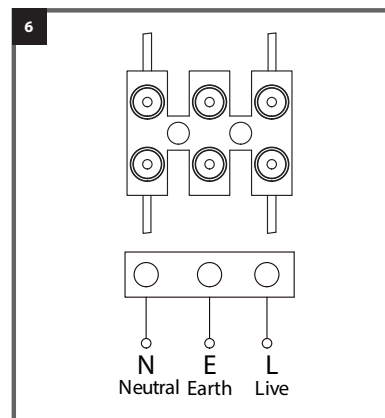
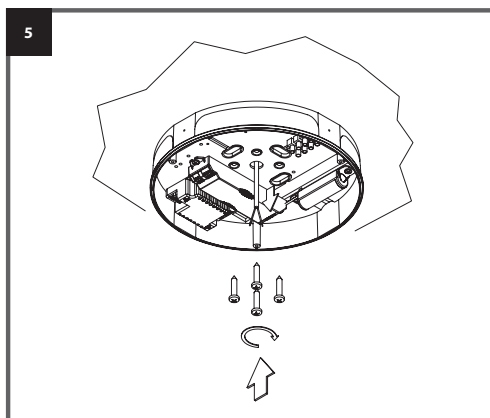
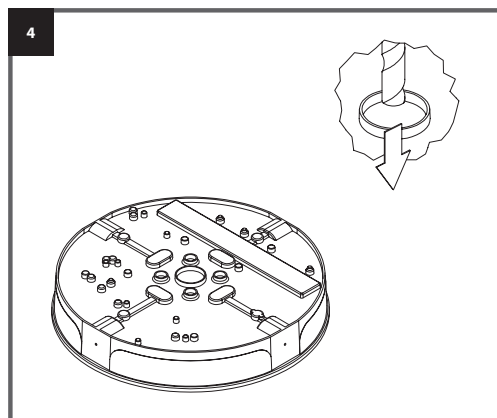
### Installation Instructions

Note: This is a Class II Luminaire - No Earth required

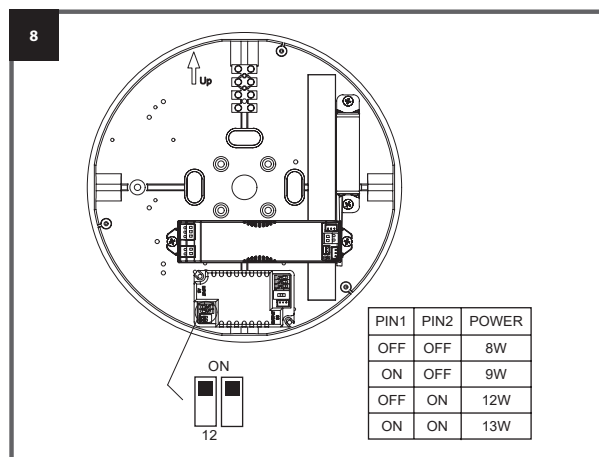
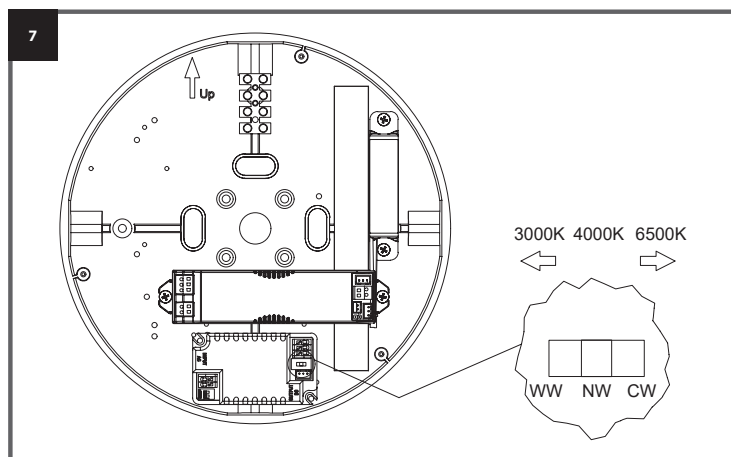
- Isolate the mains supply before commencing with the installation.
- Remove the bezel trim from the base by unclipping and lifting around the full circumference.
- Unscrew the 3 retaining screws on the diffuser, until the diffuser/LED tray can be lifted from the body. Unplug the 3 pin plug and lead from the back of LED tray so that the diffuser/LED tray can be removed.



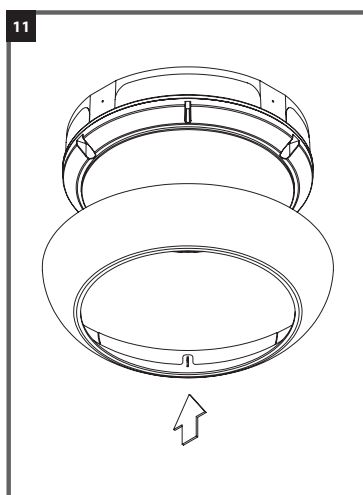
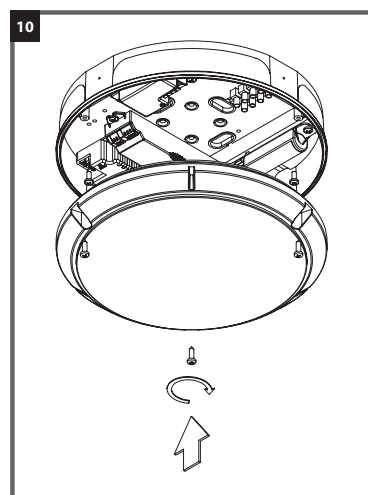
4. A cable entry point is provided via a blind grommet, which should be pierced to pass a cable through, or drill out a suitable cable entry point. For exterior or wet indoor areas, replace the grommet with a suitable IP rated cable gland (not supplied). Alternatively, the fitting also has drill out conduit side entry points top, bottom, left and right, or can be fitted to a suitable BESA box
5. **A.** If screw fixing to the mounting surface, drill out the desired screw fixing locations on the back of the body  
**B.** Feed the mains cable through the grommet / gland / conduit entry fitted in previous steps.  
**C.** Hold the fitting up to the ceiling / wall in the desired position and mark hole fixing centres.  
**D.** Drill fixing holes and use suitable wall plugs.  
**E.** Fix in position with fixings supplied.
6. Ensure the luminaire has a switched live supply to "L" [live]. Route the mains supply cable to the terminal block on the body and terminate, ensuring correct polarity is observed. Ensure all conductors are fully sleeved and insulated.



7. This luminaire has selectable LED colour appearance (CCT). Select the desired CCT using the dip switch on the driver marked WW NW CW, for 3000K, 4000K or 6500K respectively.
8. This luminaire has selectable wattage/lumen output. Select the desired wattage/lumen output using dip switches marked 1 & 2 on the driver. Use in the combination shown for each setting

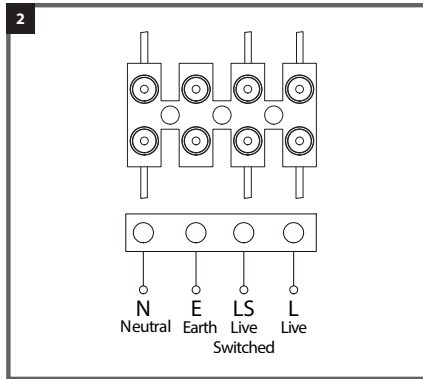


9. Securely refit the 3 pin plug and lead into the socket on the back of the diffuser/LED tray
10. Refit the diffuser/LED tray and secure using the retaining screws.
11. This luminaire is supplied with a choice of 2 bezel trims or can be used without a trim. If using the curved or eyelid bezel trim, position the trim over the fitting in the correct orientation and push until it clips into position on all sides. If a conduit entry has been used on the fitting, both trims have corresponding cut outs, which should be removed as appropriate prior to fitting the trim, so that it fits over the conduit.
12. Restore the mains power supply, switch on and test for satisfactory operation



## Emergency Version Instructions

- Follow instructions 1-5 on the previous page. In step 3, also unplug the 2 pin plug and lead connected to the centre of the LED tray and the 2 pin LED Indicator plug and lead connected to the LED Converter, before removing the diffuser/LED tray.
- The luminaire requires a secondary unswitched live supply as well as a switched supply. Connect the unswitched supply to the terminal marked L. Connect the switched supply to the terminal marked LS. The "unswitched" supply must be taken from the same phase as the "switched" supply and must be wired to the same MCB so that upon test, it is isolated at the same time as the switched supply.



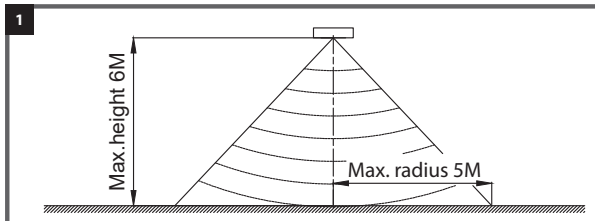
- Route the supply cable to the terminal block and terminate, ensuring correct polarity is observed.
- Select the CCT and wattage as described in 7 & 8 above.
- Refit the plugs disconnected in step 3 and also connect the battery lead into the Emergency Converter
- When the power supply is reconnected, check the green LED illuminates. This indicates the batteries are charging.
- The batteries should be charged for at least 24 hours before carrying out a full discharge test, to check batteries are charging correctly and 3 hour emergency duration is achieved.

**Note: For non-maintained operation, only an unswitched supply to terminal L is required. For switched maintained, follow the instructions in no.2 above. For unswitched maintained operation, connect cables as in 2 above but also link L & LS.**

## Instructions for Microwave Sensor Set Up

The Microwave Sensor allows the Bulkhead to detect when an occupant enters or leaves an area, turning the luminaire on or off accordingly.

- The sensor should be positioned so that the occupants of the area fall inside the detection patterns shown in the diagram below.



- The diagram is based on a maximum ceiling mounting height of 6m. Note that the lower the sensor is installed, the smaller the detection range will be e.g. at a ceiling height of 2.8m the detection diameter is approximately 4.7m.
- The distances quoted are approximate and may vary depending on the surroundings.
- Do not site within 1m of forced air heating or ventilation.
- Do not fix to a vibrating surface.
- Sensitivity** can be adjusted by selecting the required combination on dip switches 1 & 2 for different applications.

6

	1	2	
I - 100%	ON	ON	100%
II - 75%	ON	—	75%
III - 50%	—	ON	50%
IV - 10%	—	—	10%

- Hold time** refers to the time period that the light remains on if no more movement is detected. Set using dip switches 3 & 4.

7

	3	4	
I - 5 s	ON	ON	5s
II - 90 s	ON	—	90s
III - 5 min	—	ON	5min
IV - 15 min	—	—	15min

8. Different daylight thresholds can be pre-set using dip switches 5 & 6. Light will always turn on upon movement if daylight sensor is disabled.

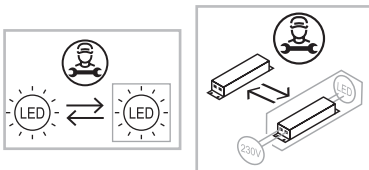
	5	6	
I - Disable	ON	ON	Disable
II - 50 Lux	ON	—	50Lux
III - 10 Lux	—	ON	10Lux
IV - 2 Lux	—	—	2Lux

## Guarantee

This product is guaranteed for a period of 5\* years from the date of purchase (\* batteries 2 year). The guarantee is invalid in the case of improper use, tampering, removal of the Q.C. date label, installation in an improper working environment or installation not according to the current edition of the I.E.E. Wiring Regulations (BS7671). The guarantee is also invalidated if the luminaire has been insulation tested. Should this product fail during the guarantee period it will be replaced free of charge, subject to correct installation and return of the faulty unit. We do not accept responsibility for any installation costs associated with the replacement of this product. Your statutory rights are not affected. We reserve the right to alter specifications without prior notice.

## Maintenance

- This fitting will require routine cleaning if used in adverse (dust, paint, welding, oils etc) environments. Do not use solvents, aggressive detergents or abrasives.
- The light source & driver in this luminaire can be quickly and easily replaced at end of life. This should be carried out by a competent person.



- When this fitting comes to the end of its life or you choose to replace it, please do not dispose of it with your normal waste. Please recycle where the facilities exist, check with your local authority for suitable options.